

HANDS-FREE SINK

QUEST Model HFS

A sanitary workspace begins with a convenient sink for staff to frequently wash their hands. This sturdy, economical hand sink can be wall-mounted anywhere and the unique 'Hands-Free' knee operated valve is simple to use. It's the ultimate in sanitation. Mounting bracket, faucet and fittings included. Available pre-plumbed or field assembled.



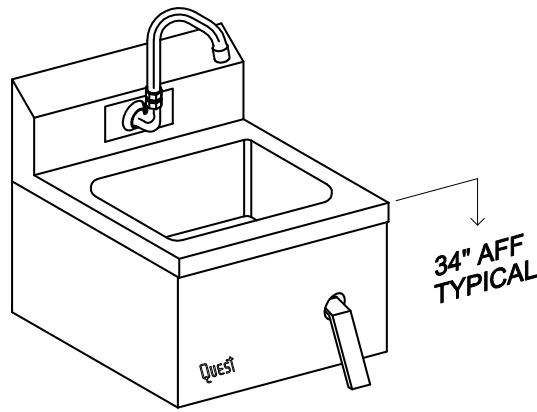
Product Features

- CSA approved SS sink
- 18 gauge stainless steel support skirt
- Swivel gooseneck spout
- Temperature mixing valve with integral check valves
- Knee valve (pre-mounted)
- Chrome plated p-trap
- "Mini" basket drain
- Brass tailpiece (1½")
- Single faucet base

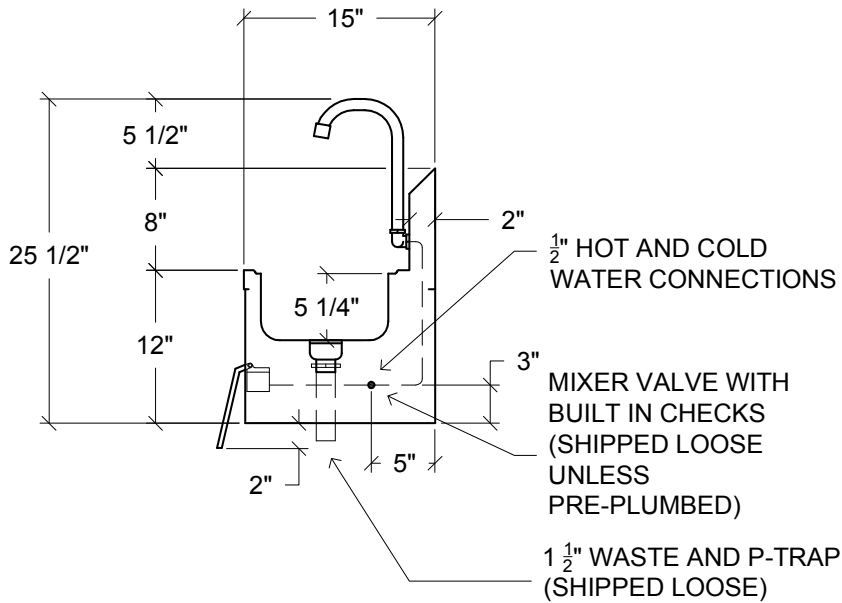
Optional Features

- Pre-plumbing

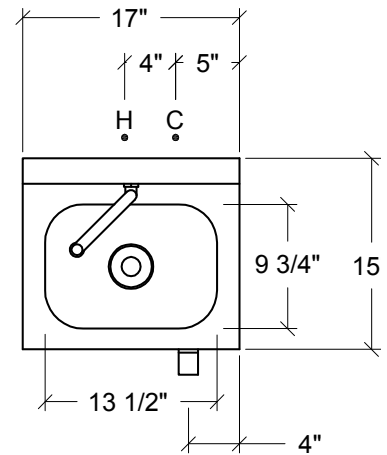
Quest- Hands-Free Sink



MODEL HFS SHOWN



END ELEVATION



PLAN VIEW

MODEL	COMPARTMENT SIZE	OVERALL SIZE (mm)			SHIPPING WEIGHT	
		LENGTH	DEPTH	HEIGHT	LBS	KGS
HFS	13 1/2" x 9 1/2" (343x242)	17" (432)	15" (381)	20" (508)	60	27

NOTE: Dimensions are accurate at time of publication but subject to change without notice. If sizes are critical consult the factory.



QUEST Metal Products Limited
 889 Erin St, Winnipeg, MB R3G 2W6
 Tel: 204.786.2403 Fax: 204.783.7598
 Email: sales@questmp.ca

Distributed in Canada by:
 Russell Food Equipment Ltd.
russellfood.ca