

BAIN MARIE 36 SERIES

QUEST Model BM (36)

Provides uniform single temperature holding. Constructed of heavy gauge stainless steel for durability and cleanliness. Heavy gauge full length channels c/w sanitary ss legs and ss adjustable feet support and provide complete rigidity to the table.



BM-4 (36)
MODEL ILLUSTRATED

Product Features

- Single well wet operation
- Thermostatically controlled
- Stainless steel top and water pan
- Divider bars used for standard 12" x 20" (305 x 508) openings
- Powerful heaters for quick recovery
- Superior immersion element will operate dry eliminating burnout due to operator error
- All stainless steel body, legs and adjustable feet
- Large plate shelf
- Integrally wired to circuit breaker panel

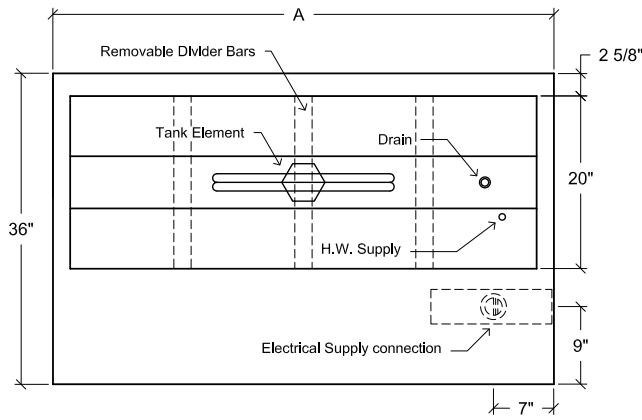
Simplicity of Operation— Standard with:

- Manual hot water fill valve
- Manual drain valve
- Overflow to minimize overfilling of tank

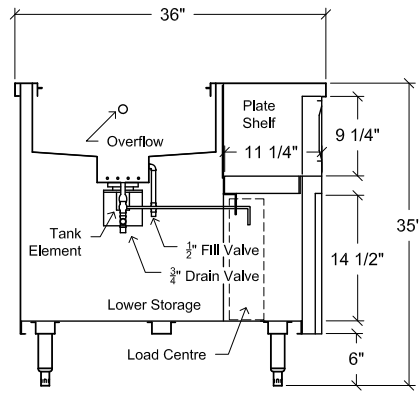
Optional Features

- Server side pick-up shelves 12" w x 32" h (350) x (815)
- Cutting board (polyethylene)
- Adapter plates to accommodate round inserts
- Roll covers for individual full size insert
- Heated plate shelf with flip up door
- Heated lower storage compartment
- Stainless steel sliding doors for lower storage compartment (Heated or non-heated)
- Stainless steel overshef
- Sneeze guard
- Adapter plates to accommodate round inserts

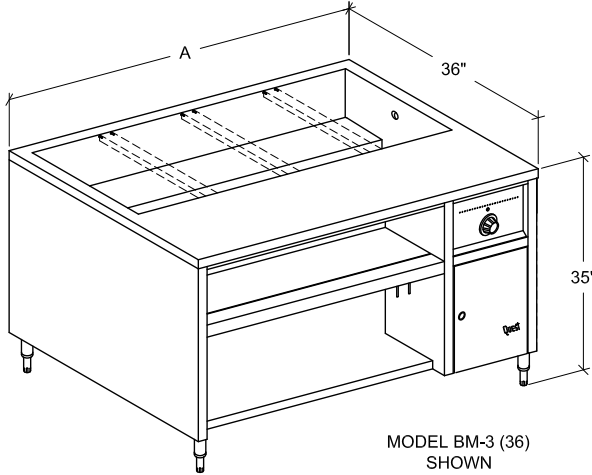
Quest- Bain Marie 36 Series



MODEL BM-3 (36) PLAN



MODEL BM-3 (36) SECTION



MODEL BM-3 (36) SHOWN

WARNING! Do not install this unit closer than 1/2 inch to a wall of combustible material.

Inserts Not Included

MODEL	FULL SIZE INSERTS ACCOMMODATED	DIMENSIONS (mm)			HEATING - KILOWATTS			WEIGHTS (KG's)	
		LENGTH (A)	DEPTH	HEIGHT	TANK	SHELF	STORAGE	NET	SHIPPING
BM- 3 (36)	3	44" (1120)	36" (915)	35" (890)	3.0	.25	1.0	310 (141)	330 (150)
BM-4 (36)	4	58" (1475)	36" (915)	35" (890)	4.5	.25	1.0	350 (159)	380 (173)
BM-5 (36)	5	72" (1830)	36" (915)	35" (890)	6.0	.50	1.5	390 (177)	430 (195)
BM-6 (36)	6	86" (2185)	36" (915)	35" (890)	6.0	.50	1.5	430 (195)	480 (218)
BM-7 (36)	7	100" (2540)	36" (915)	35" (890)	9.0	1.0	1.5	470 (213)	530 (241)
BM-8 (36)	8	114" (2895)	36" (915)	35" (890)	9.0	1.0	1.5	510 (232)	580 (263)

Specifications:

Provide QUEST Hot Food Table Model BMfor operation with volts phase. Table to accommodate full size inserts.

Table to be fabricated entirely of stainless steel. All welded tank for wet operation only.

Tank heaters to be controlled by thermostat with tank water level controlled by manual fill and drain valves.

Overall dimensions — length width..... height as shown for above model, manufactured by QUEST Metal Products Ltd., Winnipeg.

Complete table to be prewired to integral circuit breaker panel and must be approved by Canadian Standards Association.

NOTE: Dimensions are accurate at time of publication but subject to change without notice. If sizes are critical consult the factory.



QUEST Metal Products Limited
 889 Erin St, Winnipeg, MB R3G 2W6
 Tel: 204.786.2403 Fax: 204.783.7598
 Email: sales@questmp.ca

Distributed in Canada by:
 Russell Food Equipment Ltd.
russellfood.ca