

STANDARD OVEN

QUEST Model QGRO

The QUEST Standard Oven has natural front ducted venting. This design promotes the even flow of heat to travel through the cavity and exit without cold spots or inconsistent performance. Supplied with a single rack, this oven is the reliable standard for baking and roasting.



QGRO 36
MODEL ILLUSTRATED

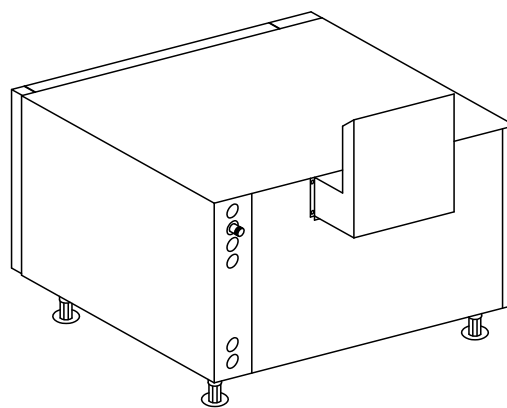
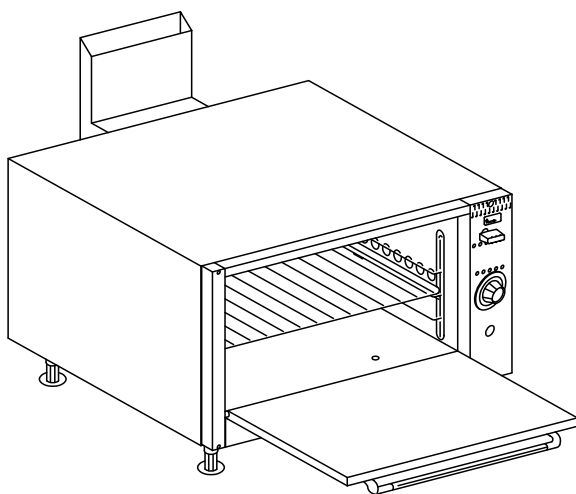
Product Features

- Oven design gives superior baking and roasting results
- All SS interior cavity durable and easy to clean
- Heavy-duty all welded construction
- Counterbalanced door for trouble free and positive closing
- No springs to service or replace
- All welded door - no warping for positive seal
- Flow thru oven venting (full size oven only)
- Unique "Retarded Vent" design is efficient and gives very even oven temperatures
- Oven thermostat with modulating and snap-action control
- SS front and sides for ease of cleaning and appearance
- Available in full size 36" (915) or half size 24" (610)
- Safety control conveniently located for ease of lighting pilot
- SS rotating door handle, cool and ergonomic
- Modular design compatible with Chef Centre

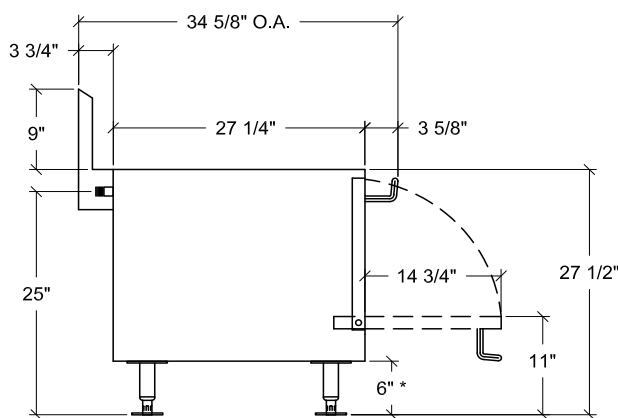
Optional Features

- SS top
- Extra oven racks
- Casters (fixed and adjustable height)
- Flexible gas connector kit
- Heat shield for protection of vinyl floors
- Stacking kit (see Model DDRO)
- Two-speed convection (see Model QGCO)
- Hot bottom deck for increased heat in from below

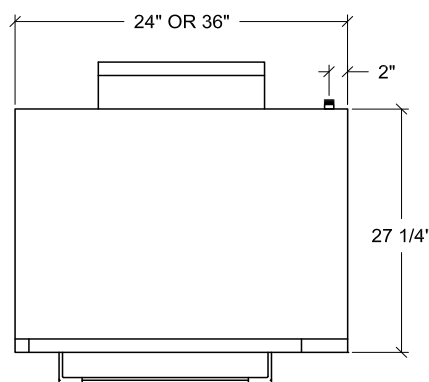
Quest- Standard Oven



MODEL QGRO-36 SHOWN



END ELEVATION



PLAN VIEW

* CASTERS OR ADJUSTABLE LEGS

3/4" REAR GAS CONNECTION,
REGULATOR REQUIRED FOR NAT. GAS,
SUPPLIED LOOSE, SET AT 3.5 W.C.

MODEL	OVERALL EXTERIOR DIMENSIONS (mm)			INTERIOR (USEABLE) DIMENSIONS (mm)			BTU'S	GAS CONNECTION	SHIPPING WEIGHT	
	WIDTH	DEPTH	HEIGHT*	WIDTH	DEPTH	HEIGHT			LBS.	KGS.
QGR 24	24" (609)	27 1/4" (692)	27 1/2" (699)	14" (356)	24" (610)	14 1/2" (368)	30,000	3/4" (19)	300	136
QGR 36	36" (915)	27 1/4" (692)	27 1/2" (699)	26" (660)	24" (610)	14 1/2" (368)	37,500	3/4" (19)	330	150

* NOTE: HEIGHT INCLUDES 6" LEGS OR CASTORS



NOTE: Dimensions are accurate at time of publication but subject to change without notice. If sizes are critical consult the factory.



QUEST Metal Products Limited
889 Erin St, Winnipeg, MB R3G 2W6
Tel: 204.786.2403 Fax: 204.783.7598
Email: sales@questmp.ca

Distributed in Canada by:
Russell Food Equipment Ltd.
russellfood.ca