

DELUXE SINK

QUEST Model QDS

These are ultra sanitary units with all coved corners as required by sanitary regulations for hospitals, laboratories and large institutional kitchens. All vertical and horizontal corners have a large $\frac{3}{4}$ " (19) radius for easy, thorough cleaning. Drainboards and splashbacks are welded integrally with all joints ground and polished. $1\frac{1}{2}$ " (38) wastes with overflows and stainless steel perforated screens are supplied with each compartment. The excellent QUEST workmanship and finish makes these fine deluxe models an outstanding value.



QDS-1
MODEL ILLUSTRATED (WITH OPTIONAL
DRAINBOARDS AND UNDERSHELVES)

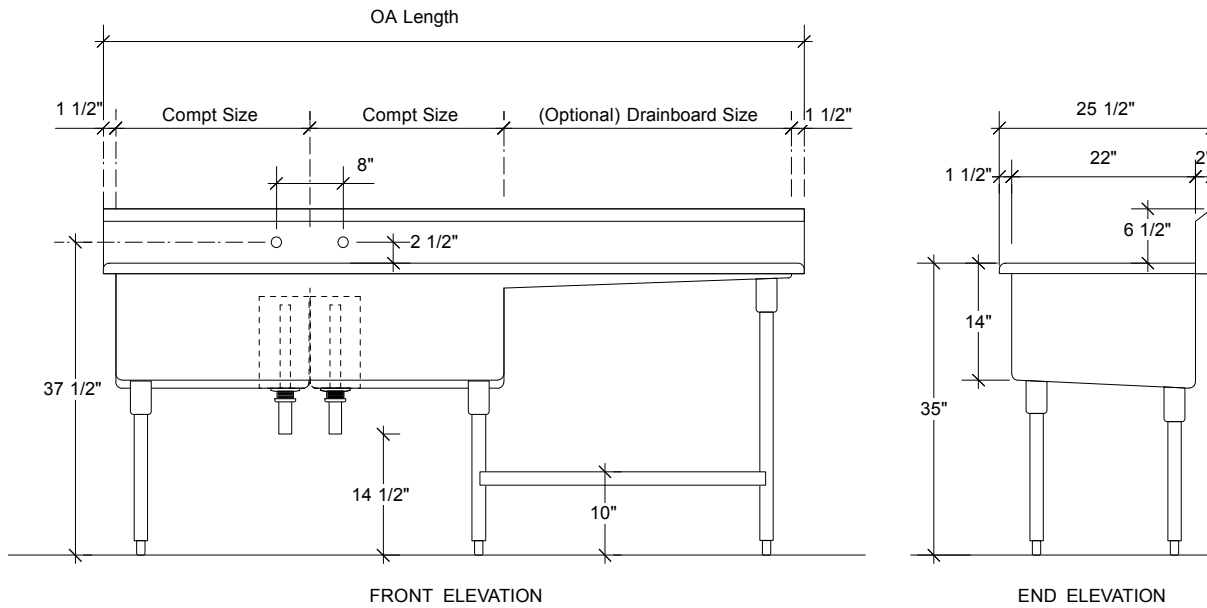
Product Features

- CSA approved
- All heavy duty 16 gauge stainless steel construction
- All coved corner sink bowls
- $1\frac{1}{2}$ " (38) rolled rims on front and ends
- $6\frac{1}{2}$ " (165) splashback, 2" thick to conceal plumbing
- $1\frac{1}{2}$ " (38) corner wastes c/w overflow tubes
- SS Perforated corner screens
- Mounting holes for 8" (205) wall mount faucet
- $1\frac{5}{8}$ " (41) SS tubing legs
- SS adjustable bullet feet
- Drainboards (optional) are coved and welded seamless to the sink
- Drainboards have positive slope to the sink

Optional Features

- NSF approval
- 14 gauge stainless steel
- T316 SS bodies and wastes for acid resistance
- Centre wastes with $3\frac{1}{2}$ " basket wastes
- Lever waste(s) with $1\frac{1}{2}$ " or 2" drain connection
- Drainboards integral (RH and/or LH)
18" (457), 24" (610), 30" (762) or 36" (914)
- Support legs for drainboards over 30" (762)
- Undershelves (solid, slatted, perforated or removable)
- Faucets with various spout lengths
- Custom sink and drainboard sizes
- Provision for pot washing equipment
- Sink compartment covers for work surfaces

Quest- Deluxe Sink



Special Sizes: Special size and gauge sinks and drainboards made to your requirements, submit rough sketch with sizes and specify gauges and optional extras required. A prompt quotation will be supplied and when order is placed, a shop drawing will be provided for your approval. QUEST sinks are an outstanding value.

STANDARD MATERIALS— 16 GA. S/S No. 4 - STANDARD DEPTH— 14"(355)

MODEL	COMP. SIZE	OVERALL LENGTH - WIDTH		SHPG. WEIGHT	MODEL	COMP. SIZE	OVERALL LENGTH - WIDTH		SHPG. WEIGHT	MODEL	COMP. SIZE	OVERALL LENGTH - WIDTH		SHPG. WEIGHT
QDS-1	18" x 22" (457x559)	21" (533)	25 1/2" (648)	90 lbs. (40 kgs)	QDS-2	18" x 22" (457x559)	39" (990)	25 1/2" (648)	160 lbs. (73 kgs)	QDS-3	18" x 22" (457x559)	57" (1448)	25 1/2" (648)	240 lbs. (109 kgs)
	24" x 22" (610x559)	27" (686)	25 1/2" (648)	110 lbs. (50 kgs)		24" x 22" (610x559)	51" (1296)	25 1/2" (648)	215 lbs. (98 kgs)		24" x 22" (610x559)	75" (1905)	25 1/2" (648)	310 lbs. (140 kgs)
	30" x 22" (762x559)	33" (838)	25 1/2" (648)	140 lbs. (64 kgs)		30" x 22" (762x559)	63" (1600)	25 1/2" (648)	260 lbs. (118 kgs)		30" x 22" (762x559)	93" (2362)	25 1/2" (648)	390 lbs. (177 kgs)

DRAINBOARDS and UNDERSHELVES

DRAINBOARDS			UNDERSHELVES	
OVERALL LENGTH - WIDTH	WORK AREA	APPROX. SHIPPING WEIGHT	APPROX. LENGTH - WIDTH	APPROX. SHIPPING WEIGHT
19 1/2" x 25 1/2" (495x648)	18" x 22" (457x559)	25 lbs. (11 kgs)	18" x 22" (457x559)	15 lbs. (7 kgs)
25 1/2" x 25 1/2" (648x648)	24" x 22" (610x559)	30 lbs. (14 kgs)	24" x 22" (610x559)	18 lbs. (8 kgs)
31 1/2" x 25 1/2" (800x648)	30" x 22" (762x559)	35 lbs. (16 kgs)	30" x 22" (762x559)	21 lbs. (10 kgs)
37 1/2" x 25 1/2" (953x648)	36" x 22" (914x559)	40 lbs. (18 kgs)	36" x 22" (914x559)	24 lbs. (11 kgs)

NOTE: Dimensions are accurate at time of publication but subject to change without notice. If sizes are critical consult the factory.



QUEST Metal Products Limited
 889 Erin St, Winnipeg, MB R3G 2W6
 Tel: 204.786.2403 Fax: 204.783.7598
 Email: sales@questmp.ca

Distributed in Canada by:
 Russell Food Equipment Ltd.
russellfood.ca