

BAIN MARIE 30 SERIES

QUEST Model BM (30)

QUEST Bain Maries are designed for uniform single heat holding or odd shaped utensils. Constructed of heavy gauge stainless steel for durability and cleanliness. Heavy gauge full length channels c/w sanitary ss legs and ss adjustable feet support and provide complete rigidity to the table.



BM-4 (30)
MODEL ILLUSTRATED

Product Features

- Single well wet operation
- Thermostatically controlled
- Stainless steel top and water pan
- Divider bars used for standard 12" x 20" (305 x 508) openings
- Powerful heaters for quick recovery
- Superior immersion element will operate dry eliminating burnout due to operator error
- All stainless steel body, legs and adjustable feet

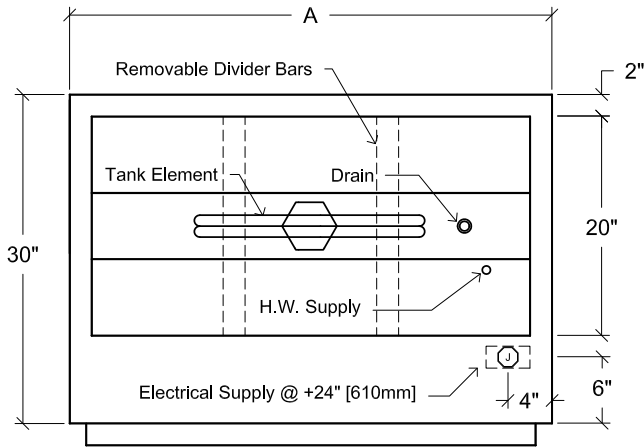
Simplicity of Operation– Standard with:

- Manual hot water fill valve
- Manual drain valve
- Overflow to minimize overfilling of tank

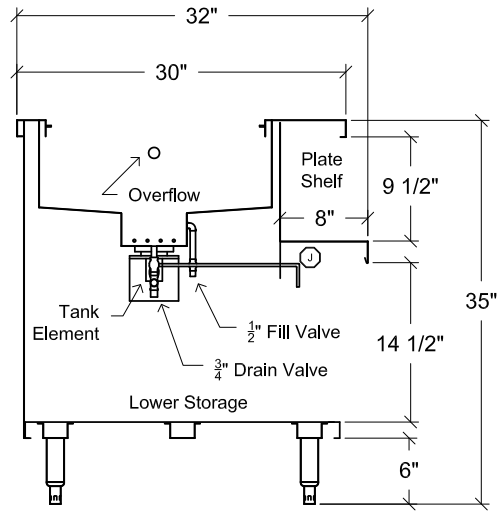
Optional Features

- Server side pick-up shelves 12" w x 32" h (305 x 815)
- Cutting board (polyethylene)
- Roll covers for individual wells
- Adapter plates to accommodate round inserts
- Heated lower storage compartment
- Stainless steel sliding doors for lower storage compartment (heated or non-heated)
- Stainless steel overshef
- Sneezeguard

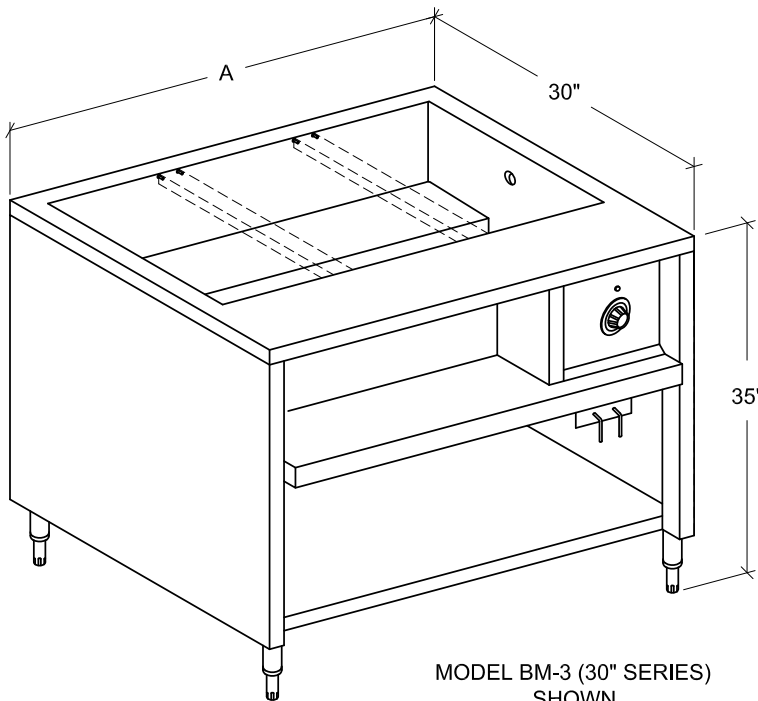
Quest- Bain Marie 30 Series



MODEL BM-3 (30) PLAN



MODEL BM-3 (30) SECTION



**MODEL BM-3 (30" SERIES)
SHOWN**

Note: Inserts not included

MODEL	DIMENSIONS (mm)			WEIGHT (kgs)		BM- KILOWATTS	
	LENGTH (A)	DEPTH	HEIGHT	NET	SHIPPING	TANK	STORAGE
BM-3 (30)	44" (1120)	30" (760)	35" (890)	355 (161)	375 (170)	3.0	1.0
BM-4 (30)	58" (1475)	30" (760)	35" (890)	395 (179)	425 (193)	4.5	1.0
BM-5 (30)	72" (1830)	30" (760)	35" (890)	435 (197)	475 (245)	6.0	1.5
BM-6 (30)	86" (2185)	30" (760)	35" (890)	475 (215)	525 (238)	6.0	1.5
BM-7 (30)	100" (2540)	30" (760)	35" (890)	515 (234)	575 (261)	9.0	1.5
BM-8 (30)	114" (2895)	30" (760)	35" (890)	555 (252)	625 (284)	9.0	1.5

NOTE: Dimensions are accurate at time of publication but subject to change without notice. If sizes are critical consult the factory.



QUEST Metal Products Limited
 889 Erin St, Winnipeg, MB R3G 2W6
 Tel: 204.786.2403 Fax: 204.783.7598
 Email: sales@questmp.ca

Distributed in Canada by:
 Russell Food Equipment Ltd.
russellfood.ca